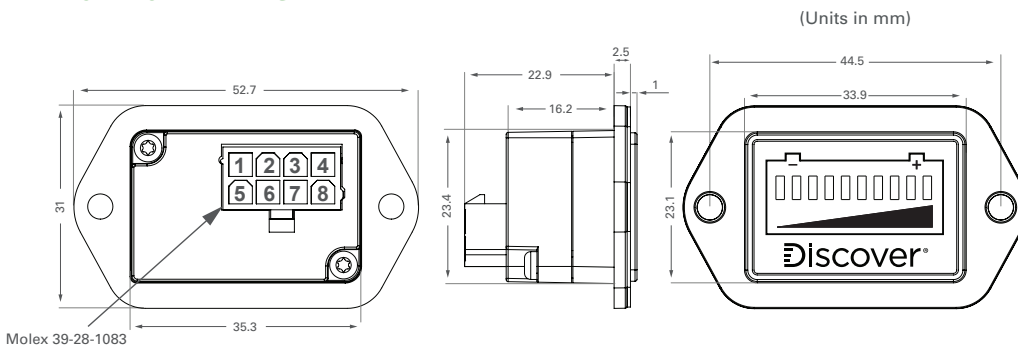


Discover Lithium Battery Fuel Gauge and SOC Indicator TYPE B Battery Discharge Indicator (CAN Bus) 950-0034

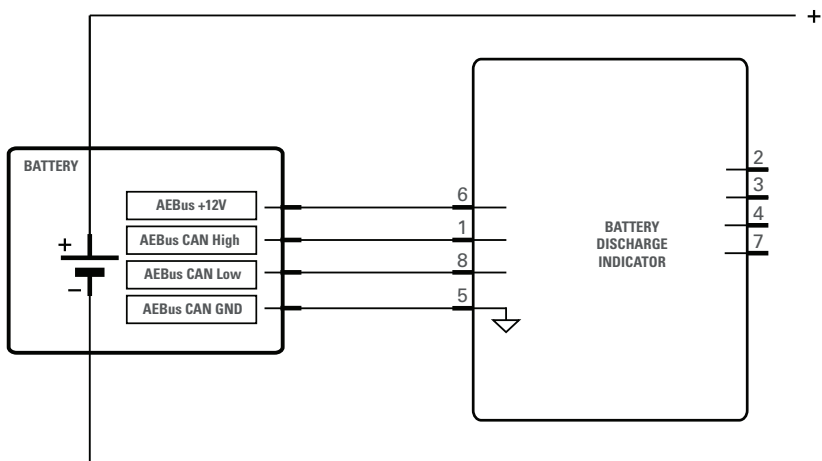
The Type-B Battery Discharge Indicator (BDI) communicates with Discover Lithium batteries over CAN Bus and displays state-of-charge in incremental LED segments. The TYPE-B BDI will provide aggregate SoC for up to 20 Discover Lithium Batteries. Rated IP 30, with an installed frontal rating of IP 55.

The TYPE-B BDI is also available in a kit with a 1.8M LYNK Network Cable (950-0039) for use with LITHIUM PROFESSIONAL batteries.

BDI MECHANICAL DRAWING



ELECTRICAL DRAWINGS



BDI PIN ASSIGNMENTS

| PIN | Function |
|-----|-----------------------------------|
| 1 | LYNK Bus (AEBus) CAN High |
| 5 | LYNK Bus (AEBus) CAN GND |
| 6 | LYNK Bus (AEBus) Network CAN +12V |
| 8 | LYNK Bus (AEBus) CAN Low |

COMPATIBLE BATTERIES

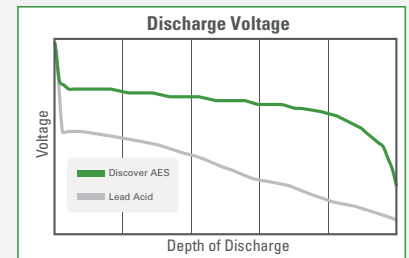
AES LiFePO₄ Batteries

| | |
|------------|------------|
| 12-48-6650 | 14-36-3000 |
| 12-36-6700 | 14-48-3000 |
| 14-24-2800 | |

LITHIUM PROFESSIONAL Batteries

| | |
|-------------|-------------|
| DLP-GC2-12V | DLP-GC2-36V |
| DLP-GC2-24V | DLP-GC2-48V |

DISCOVER LITHIUM VS. LEAD-ACID BATTERY DISCHARGE CURVE



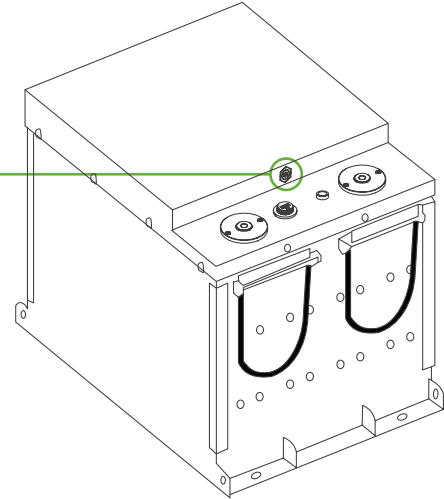
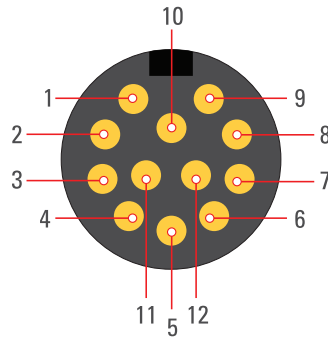
Discover Lithium batteries have a flat and stable discharge curve, which can not be monitored accurately by a voltage-based SOC indicator. For accurate fuel gauge and SoC, a Discover Battery Discharge Indicator is necessary.

BATTERY PINOUT DIAGRAMS

PINOUT DIAGRAM FOR CONNECTION TO AES LiFePO₄ BATTERIES

IEC M12 A-Coding 12 Pin

| PIN | Function |
|-----|-----------------------------|
| 3 | LYNK Bus (AEBus) CAN GND |
| 4 | LYNK Bus (AEBus) CAN High |
| 5 | LYNK Bus (AEBus) CAN Low |
| 12 | LYNK Bus (AEBus) CAN +12V * |



* Not all models are equipped with an internal 12V power supply.
Discover 950-0019 12V Power Over LYNK Bus (AEBus) accessory is available separately.

PINOUT DIAGRAM FOR CONNECTION TO LITHIUM PROFESSIONAL BATTERIES

IEC M12 A-Coding 5 Pin

| PIN | Function |
|-----|----------------|
| 1 | ON/OFF Switch |
| 2 | LYNK Bus CAN L |
| 3 | LYNK Bus CAN H |
| 4 | LYNK Bus 12V + |
| 5 | LYNK Bus GND |

