



**LYNK PORT
CONNECTIVITY**



AES RACKMOUNT

Energy Storage System

BATTERY MODULE COMBINER

The **AES RACKMOUNT Battery Module Combiner** connects in parallel up to six AES RACKMOUNT Battery Modules and is design to be used with the Quick Stack Rack System. The **Battery Module Combiner** comes equipped with six sets of fuse protected cables for connection with the battery modules. Two unpopulated positions are available for additional DC loads.

FULLY ASSEMBLED

- 19 Inch Rack Mount – Enclosure Ready
- Six Quick-Connect Fused Battery Cable Sets
- Master Double Pole Disconnect Breaker
- Single Button Power Off

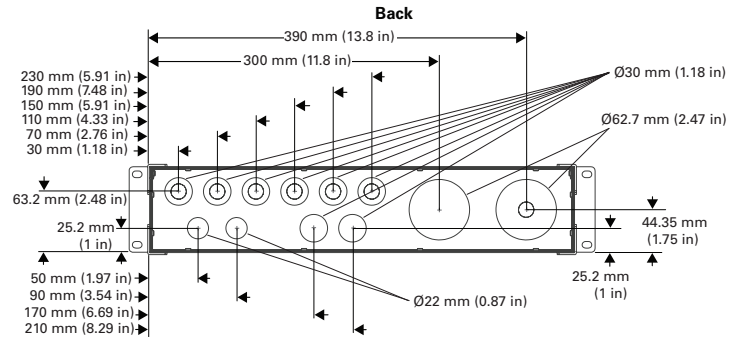
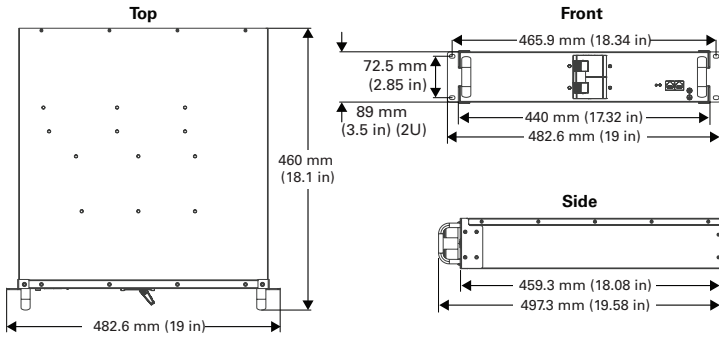
**COMPATIBLE WITH AES RACKMOUNT
QUICK STACK RACK SYSTEM**

WHAT'S IN THE BOX

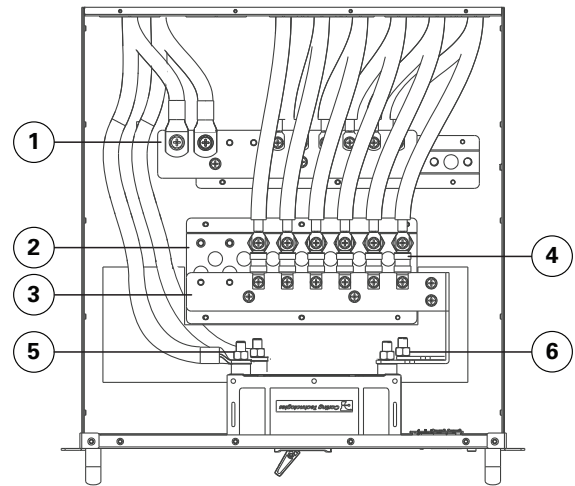
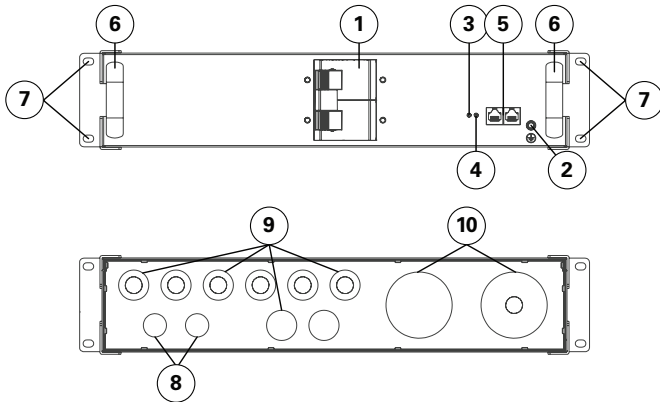
ITEM	DESCRIPTION
1	AES RACKMOUNT Battery Module Combiner
6	Positive (Red) Battery Module Cables with Amphenol SurLok Plus™ Connectors
6	Negative (Black) Battery Module Cables with Amphenol SurLok Plus™ Connectors
1	CAT6 Cable (304.8 mm, 12 inch)
24	Cable Strap (304.8 mm, 12 inch)
4	Mounting Screw (M6)
1	#6 Chassis Ground Wire (200 mm, 7.87 inch)
4	Cage Nut (M5)
1 Set	Spares: Cover Screws M3 (2) and M4 (2), Mounting Screws M6 (2), Cage Nuts M5 (2), Cable Straps -304.8 mm/12 inch- (2)



MECHANICAL SPECIFICATIONS



LAYOUT



ITEM	DESCRIPTION
1	Battery Module DC Breaker 2 x 250 A (1 pole)
2	Equipment Ground Point
3	At-a-glance LED
4	Remote Power Off Key
5	LYNK Port x 2
6	Handles x 2
7	Mounting Points x 4
8	Small Knockouts: 2 x 0.87 inch (22 mm) <i>(Optional use)</i>
9	Medium Knockouts: 8 x 1.18 inch (30 mm) <i>(Battery Module Cables)</i>
10	Large Knockouts: 2 x 2.47 inch (62.7 mm) <i>(Power Electronic Cables)</i>

ITEM	DESCRIPTION
1	Negative Busbar 10 Connection Points: 6 Battery Module M6 (Fuse - Populated), 2 DC Loads M6 (Fuse - Unpopulated), 2 Power Conversion equipment M8 (Fuse - Unpopulated)
2	Isolated Fuse Mounting Plate with 8 Connection Points: 6 Battery Module M6 (Fuse - Populated), 2 DC Loads M6 (Fuse - Unpopulated)
3	Positive Busbar with DC Breaker and 8 Connection Points: 6 Battery Module M6 (Fuse - Populated), 2 DC Loads M6 (Fuse - Unpopulated)
4	DC Fuses are attached to the Positive Busbar inline with the Battery Module/DC Loads and the DC Breaker: 6 Battery Module M6 (Fuse - Populated), 2 DC Loads M6 (Fuse - Unpopulated)
5	DC Breaker Connection (Power Conversion side) 3/8 inch terminal bolt.
6	DC Breaker Connection (AES RACKMOUNT Battery Module Side).